



**SEASTAR**

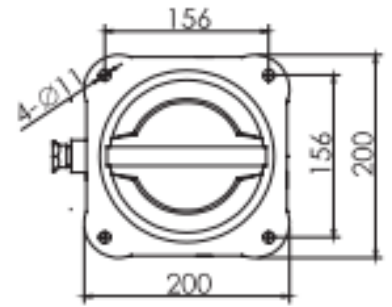
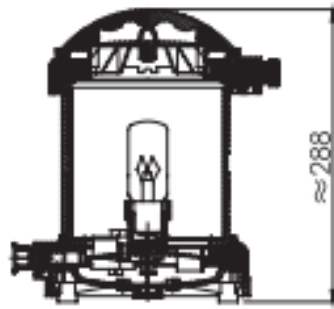
# **Seastar Marine's Catalogue**

## **Navigation Light**

<https://www.seastar.sg/>

+65 62658662

# CXH-11P NO.1 FULL-PLASTIC NAVIGATION SIGNAL LIGHT



## The scope of application

This light fits ship with length 50m or above as lamp signal will communicates during night navigation

## Product feature:

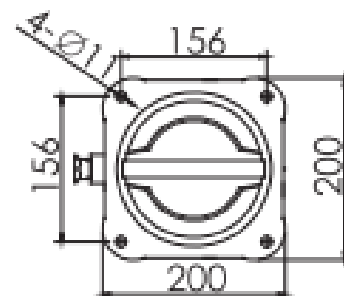
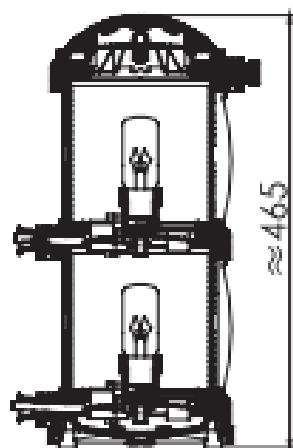
1. This lamp can be installed conveniently and its bulb can be replaced easily.
2. There is automated leak holes on the bottom of the light.
3. The cover adopts high-strength engineering plastic with watertight, good corrosion resistance, impact resistance , etc.
4. The lampshade adopts poly carbonate material which has the feature of ultraviolet radiation resistance and non-discoloration.
5. The signal lights adopt it;s bulb which it conform to the ship norm and the average lifespan not less than 700 hours.
6. The sign lights can work normally under the temperature between -30°C - +50°C.
7. Cable outside diameter Ø10mm.

## Adopt standard and product certification:

1. Conform to INTERNATIONAL REGULATIONS FOR PREVENTING COLLISIONS AT SEA 1972
2. Confirm to international standard of IEC-60598-1-2008
3. Conform to performance standard of requirement about IMO Res.MSC.253(83)/
4. Conform to national standard of GB/T3028-2012
5. Conform to RULES FOR CLASSIFICATION OF SEA-GOING STEEL SHIPS.
6. Approved by China Classification Society(CCS) and Type approval of China Fishery Inspection Bureau.
7. Passed the European Union (CE) certification.

Name	Type	Visibility	Level Arc	Lamp Holder	Bulb	Luminous Intensity	Protection class	Color	Weight
Standard Light	CXH1-11p	3n.m	112.5°	P28s	220V/65W 110V/65W 24V/60W	60cd	IP56	Green	2.5kg
Port Light	CXH2-11P	3n.m	112.5°					Red	2.5kg
Masthead Light	CXH3-11P	6n.m	225°					Transparent	2.5kg
Steam Light	CXH4-11P	3n.m	135°					Transparent/ Yellow	2.5kg
All-round light	CXH6-11P	3n.m	360°					Red/Green Transparent/ Yellow	2.3kg

# CXH-101P NO.1 FULL-PLASTIC DOUBLE-DECK NAVIGATION SIGNAL LIGHT



## The scope of application

This light fits ship with length 50m or above as lamp signal will communicates during night navigation

## Product feature:

- 1.This lamp can be installed conveniently and its bulb can be replaced easily.
- 2.There is automated leak holes on the bottom of the light.
- 3.The cover adopts high-strength engineering plastic with watertight, good corrosion resistance, impact resistance , etc.
- 4.The lampshade adopts poly carbonate material which has the feature of ultraviolet radiation resistance and non-discoloration.
- 5.The signal lights adopt it's bulb which it conform to the ship norm and the average lifespan not less than 700 hours.
- 6.The sign lights can work normally under the temperature between -30°C - +50°C.
- 7.Cable outside diameter Ø10mm.

## Adopt standard and product certification:

- 1.Conform to INTERNATIONAL REGULATIONS FOR PREVENTING COLLISIONS AT SEA 1972
- 2.Confirm to international standard of IEC-60598-1-2008
- 3.Conform to performance standard of requirement about IMO Res.MSC.253(83)/
- 4.Conform to national standard of GB/T3028-2012
- 5.Conform to RULES FOR CLASSIFICATION OF SEA-GOING STEEL SHIPS.
- 6.Approved by China Classification Society(CCS) and Type approval of China Fishery Inspection Bureau (ZY).
- 7.Passed the European Union (CE) certification.

Name	Type	Visibility	Level Arc	Lamp Holder	Bulb	Luminous Intensity	Protection class	Color	Weight
Standard Light	CXH1-101p	3n.m	112.5°	P28s	220V/65W 110V/65W 24V/60W	60cd	IP56	Green	4.3kg
Port Light	CXH2-101P	3n.m	112.5°					Red	4.3kg
Masthead Light	CXH3-101P	6n.m	225°					Transparent	4.1kg
Steam Light	CXH4-101P	3n.m	135°					Transparent/ Yellow	4.1kg
All-round light	CXH6-101P	3n.m	360°					Red/Green Transparent/ Yellow	3.8kg

# OVERVIEW OF COLORS

## Double-Deck Color :



Red



Clear



Green

## Single-Deck Color :



Red



Clear



Green